

# Weatherproof

## IP65 Commercial and Industrial



- Complete range of weatherproof T5 and T8 emergency battens and exits.
- Matching weatherproof AC battens.
- Single point, Clever-test® or Zoneworks® computer monitored options.

JUMBO 24W WEATHERPROOF EXIT (PWE24-R)  
(36M VIEWING DISTANCE)



4W CCFL WEATHERPROOF EXIT (PWE4-R)



## Weatherproof luminaires built to last

Clevertronics IP65 weatherproof range provides a wide selection of emergency exits, AC battens and emergency battens for commercial and industrial use where moisture and/or dust is prevalent.

Weatherproof AC and emergency battens are available in 18W, 36W and 58W T8 lamp sizes as well as 14W, 28W and 35W T5 lamp sizes in single and twin lamp models. They are available with either PMMA (acrylic) or Polycarbonate diffusers mounted using stainless steel diffuser clips.

Emergency battens come standard with high temperature Nickel Cadmium batteries and surface mount electronics for long service life. Emergency exits are available in standard or jumbo models.

All weatherproof emergency units are available as single point units (SPU), Clever-test® or Zoneworks® computer monitored options.

# Weatherproof

## TWIN 18W IP65 WEATHERPROOF BATTEN

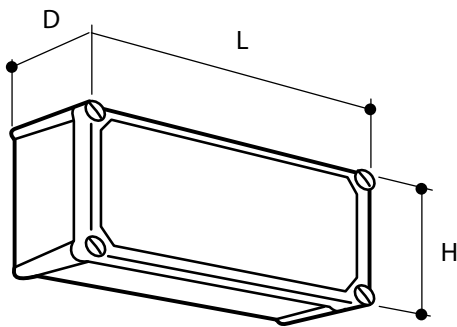


## SINGLE 36W IP65 WEATHERPROOF BATTEN



### DIMENSIONS FOR WEATHERPROOF BATTENS

	L x W x H
1x18w	600 x 110 x 125
2x18w	660 x 180 x 125
1x36w	1270 x 110 x 125
2x36w	1270 x 180 x 125



### EXIT DIMENSIONS

	4W exit	24W exit
L	375 mm	375 mm
D	135 mm	135 mm
H	185 mm	275 mm

## EMERGENCY WEATHERPROOF IP65 BATTENS

Detailed specification details available for download from Clevertronics website.

DESCRIPTION	PART NUMBERS		
	Premium	Clever-test®	Zoneworks®
<b>Acrylic Diffuser</b>			
1X18W, non maintained	PWB118N	DWB118N	ZWB118N
1X18W, maintained	PWB118M	DWB118M	ZWB118M
2X18W, maintained*	PWB218M	DWB218M	ZWB218M
1X36W, non maintained	PWB136N	DWB136N	ZWB136N
1X36W, maintained	PWB136M	DWB136M	ZWB136M
2X36W, maintained*	PWB236M	DWB236M	ZWB236M
<b>Poly-Carb Diffuser</b>			
1X18W, non maintained	PWB118N-P	DWB118N-P	ZWB118N-P
1X18W, maintained	PWB118M-P	DWB118M-P	ZWB118M-P
2X18W, maintained*	PWB218M-P	DWB218M-P	ZWB218M-P
1X36W, non maintained	PWB136N-P	DWB136N-P	ZWB136N-P
1X36W, maintained	PWB136M-P	DWB136M-P	ZWB136M-P
2X36W, maintained*	PWB236M-P	DWB236M-P	ZWB236M-P

\* Combined maintained

## 240V AC WEATHERPROOF IP65 BATTENS

Detailed specification details available for download from Clevertronics website.

DESCRIPTION	PART NUMBERS
<b>Acrylic Diffuser</b>	
1x18W IP65 Weatherproof project batten, HPF	FWB118
2x18W IP65 Weatherproof project batten, HPF	FWB218
1x36W IP65 Weatherproof project batten, HPF	FWB136
2x36W IP65 Weatherproof project batten, HPF	FWB236
<b>Poly-Carb Diffuser</b>	
1x18W IP65 Weatherproof project batten HPF	FWB118-P
2x18W IP65 Weatherproof project batten HPF	FWB218-P
1x36W IP65 Weatherproof project batten HPF	FWB136-P
2x36W IP65 Weatherproof project batten HPF	FWB236-P

## EMERGENCY WEATHERPROOF IP65 EXIT SIGNS

Detailed specification details available for download from Clevertronics website.

DESCRIPTION	PART NUMBERS		
Acrylic Diffuser	Premium	Clever-test®	Zoneworks®
4W CCFL Exit IP65 24M Viewing Distance	PWE4	DWE4	ZWE4
24W Exit IP65 36M Viewing Distance	PWE24	DWE24	ZWE24

Directional options add E, EL or ER to the above code for exit, exit left or exit right.

Directional options add R, RL or RR to the above code for straight ahead, pictograph left or pictograph right.