

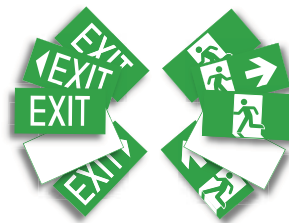
## Sophisticated and Stylish



**NOW with LED or  
Cold Cathode lamp**

- One box solution complete with "EXIT" and "Pictograph" diffuser inserts for all diffuser combinations.
- Recessed exit that compliments the Swingblade® exit. High integrity 70°C Nickel Cadmium Dual-rate Charge battery pack.
- Industry leading three year warranty.
- Compact low profile gear tray needs only 110mm of ceiling space to install.
- Supplied complete with integral flex and plug for quick installation.
- Choice of long life and energy efficient CCFL (Cold Cathode) or LED.
- Patented industry first, tamper-proof "legend cover" for directional safety signage.
- Single point, Clever-test® DALI compatible or Zoneworks® computerised testing options available.

### ONE BOX: BOTH STANDARDS



All these inserts come standard with each Ultrablade®.

Easy to configure on site, easy to order and easy to specify.

## High technology and good looks ...

Clevertronics has combined a number of key design features and technologies to create the Ultrablade® recessed exit.

The sophisticated good looks of the Ultrablade® satisfy architectural requirements for a premium recessed exit without sacrificing ease of installation and long service life.

Its low profile housing and smart design means only 110mm of ceiling space is required for installation.

The Ultrablade® recessed exit is available in long life, energy efficient cold cathode lamp technology or high brightness LED. Switchmode electronics and a dual-rate charge high temperature Nickel Cadmium battery combination give the Ultrablade® maximum reliability.

Ultrablade® uses a flat panel diffuser, identical to that used with the Clevertronics Swingblade® exit, with drop-in legend inserts secured by a patented tamper proof legend cover.

All diffuser combinations of single-sided or double-sided, with or without arrows, "EXIT" or "Pictograph" options can be configured on site from the one box.

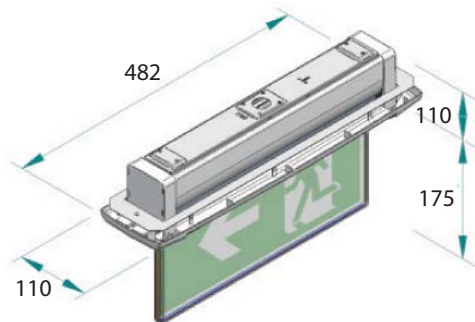
Clevertronics Ultrablade® is available in single point units (SPU), Clever-test®, DALI Em or Zoneworks® computer monitoring options.

# Ultrablade® Exit

## Specifications

### CATALOGUE NUMBERS AND DESCRIPTIONS

Please see Clevertronics website for IES files and latest information.



DIMENSIONS (mm)  
CEILING CUTOUT 430mm x 70mm

ULTRABLADE EXIT	TESTING OPTIONS			
	Standard	Clever-test	DALI Em	Zoneworks
■ CCFL Maintained	PUB4	DUB4	ZUB4-DALI	ZUB4

Description: Recessed blade style exit, 4w 50,000hr Cold Cathode lamp, dual-rate charge high temp Ni-Cad battery, 3 year warranty, single and double-sided and directional options configurable on-site. (Clever-test/ DALI Em/ Zoneworks compatible)  
Clevertronics Ultrablade Exit. AS2293 Classification Co=D4 C90=E2

■ LED Maintained	PUBLED	DUBLED	ZUBLED-DALI	ZUBLED
------------------	--------	--------	-------------	--------

Description: Recessed blade style exit, 50,000hr LED replaceable lamp bar, dual-rate charge high temp Ni-Cad battery, 3 year warranty, single and double-sided and directional options configurable on-site. (Clever-test/ DALI Em/ Zoneworks compatible)  
Clevertronics Ultrablade Exit. AS2293 Classification Co=D5 C90=E3.2

SPACING TABLE	MOUNTING HEIGHTS			
	Classification	2.1m	2.4m	2.7m
D4	7.2	7.3	7.3	7.3
D5	7.8	8	8.1	8.2
E2	5.2	5.2	5.4	5.2
E3.2	6	6.2	6.4	6.6

\*Maximum standard mounting height is 2.7m but for exceptions see AS2293.1 2005

### ONE BOX: BOTH STANDARDS

*Clevertronics patented solution to simplify directional options.*

One box is all you will ever need regardless of what standard you require, because our "ONE BOX: BOTH STANDARDS" exits come with all the "EXIT" and "Pictograph" inserts. One exit, one part number, one price, just open the box and PICK, SLIP AND CLIP.



1 Pick the correct decal



2 Slip it in



3 Clip it shut

Please check our website for your closest Clevertronics office and local representative.

[www.clevertronics.com.au](http://www.clevertronics.com.au)

Due to changes in industry standards and Clevertronics policy of product improvement, specification details are subject to change without notice.