

Conventional Box Style Exit



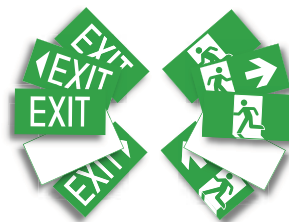
Ceiling mounted Boxlite™ exit



Wall mounted Boxlite™ exit

- One box solution complete with "EXIT" and "Pictograph" diffuser inserts for all diffuser combinations.
- High integrity 70°C Nickel Cadmium battery pack.
- Large terminal block and cable entry hole minimise installation fuss.
- Detachable baseplate for fast wall or ceiling mounting.
- 10w T8 fluorescent lamp.
- Patented industry first, tamper-proof "legend cover" for directional safety signage.
- 12 month warranty.

ONE BOX: BOTH STANDARDS



All these inserts come standard with each Boxlite™.

Easy to configure on site, easy to order and easy to specify.

The standard exit that is built to last!

The updated Boxlite™ uses modern surface mount 105°C rated electronics for longer service life. This combined with high temperature (70°C) Nickel Cadmium batteries, introduce new levels of quality and reliability to the market at a competitive price.

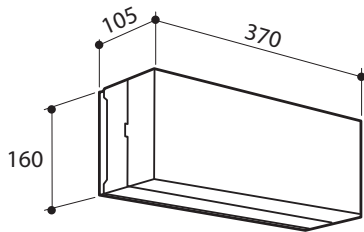
Boxlite™ uses a universal body that is supplied either complete for wall or ceiling mounting. The body uses

a detachable baseplate that is mounted and wired into position first. This then can be plugged in and secured to complete the installation.

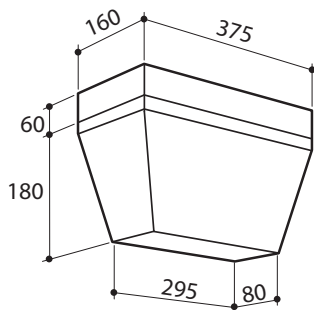
All diffuser combinations of single-sided or double-sided, with or without arrows, "EXIT" or "Pictograph" options, can be configured on site from the one box.

Specifications

DIMENSIONS (mm)



WALL MOUNT



CEILING MOUNT

CATALOGUE NUMBERS AND DESCRIPTIONS

Please see Clevertronics website for IES files and latest information.

BOXLITE EXIT				
	Mounting	Part Number	Co	C90
■ 10w T8 Maintained	Wall	EBL10M-WM	E2	E1.6
	Ceiling	EBL10M-CM	E2	E2
■ 2x10w T8 Sustained	Wall	EBL210S-WM	E2	E1.6
	Ceiling	EBL210S-CM	E2	E1.6

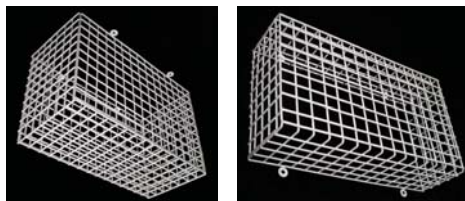
Description: Surface mounted wall/ceiling box style exit, 10w T8 fluorescent lamp, high temp Ni-Cad battery, single and double-sided and directional options configurable on-site. Clevertronics Boxlite Exit.

■ 10w OPAL emergency	Wall/Ceiling	EBL10M-WM-OP	D5	C8
----------------------	--------------	--------------	----	----

Description: Surface mounted wall/ceiling box style emergency light with opal diffuser, Non-Maintained/Maintained 10w T8 fluorescent lamp, high temp Ni-Cad battery. Clevertronics Boxlite Emergency light. (Same product can be configured non-maintained or maintained.) nb: uses wall mounted style diffuser- not triangular ceiling type.

Classification	MOUNTING HEIGHTS			
	2.1m	2.4m	2.7m	3m*
C8	6.8	7.2	7.4	7.7
E1.6	4.8	4.8	4.8	3.8
E2	5.2	5.2	5.4	5.2
D5	7.8	8	8.1	8.2

*Maximum standard mounting height is 2.7m but for exceptions see AS2293.1 2005



For accessories including wire guards and other options please contact our office.

ONE BOX: BOTH STANDARDS

Clevertronics patented solution to simplify directional options.

One box is all you will ever need regardless of what standard you require, because our "ONE BOX: BOTH STANDARDS" exits come with all the "EXIT" and "Pictograph" inserts. One exit, one part number, one price, just open the box and PICK, SLIP AND CLIP.



1 Pick the correct decal



2 Slip it in



3 Clip it shut

Please check our website for your closest Clevertronics office and local representative.

www.clevertronics.com.au

Due to changes in industry standards and Clevertronics policy of product improvement, specification details are subject to change without notice.